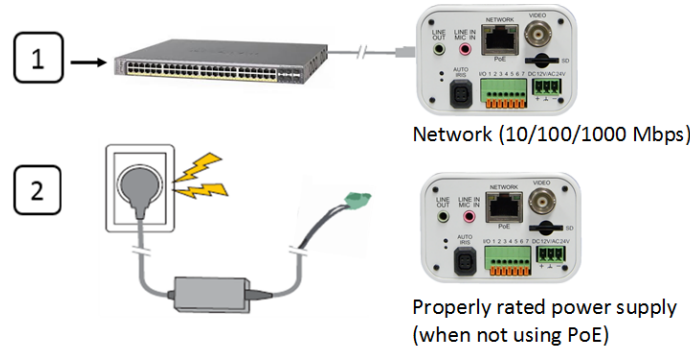
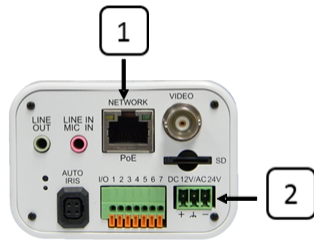


## A. Connect the Camera



## B. Discover the Camera

The unit's GUI is supported by IE 9 and higher (32-bit) with the ActiveX plug-in on PCs running 64-bit Windows XP, 7, 8, 8.1, or 10.

### B.1. Configuring the encoder on your workstation for the first time

1. Install the CD in the product package or download FLIR's Discovery Network Assistant (DNA) utility from the **Support > FLIR Firmware & Software Downloads** page at <http://www.flir.com/security>.
2. Click the DNA icon and run DNA v. 2.1.x.x or above to log into the unit.
3. Attach the unit to the same LAN segment as the computer that is managing the unit. DNA automatically discovers the unit on the network and displays the device's current IP address in the Discover List.
4. Select the unit from the Discover List.
5. From the context menu, or from the **Properties > Device Properties** screen, select the unit, select PAL or NTSC, click *Change Video Format*.
6. Click **Update**.

### B.2.a Managing the encoder with Horizon, Meridian or on a DHCP-enabled network

If the encoder is managed by Horizon configured as a DHCP server, or is on a network with a DHCP server, the encoder automatically receives an IP address.

1. Open DNA. The unit is automatically discovered on the network. See section B.1 for instructions how to install DNA.
2. Verify that the unit is displayed in the Discover List. The unit status should be displayed as *Online* and *Authenticated*.

### B.2.b Managing the encoder with Latitude or on a network with static IP configuration

If the encoder is managed by Latitude or is on a network without a DHCP server, you must manually enter its IP address in DNA.

1. Open DNA. The unit is automatically discovered. See section B.1.
2. If you use non-default credentials:
  - a. Use DNA to select the unit(s).
  - b. Right-click or click the **Login** button.
  - c. Enter the encoder's User Name ("admin") and Password ("admin").
  - d. Click **Login**.

3. In the **DNA Assign IP** screen, uncheck *Use DHCP*, and enter the unit's IP, Mask and Gateway IP addresses. If the encoder is not authenticated, you must first authenticate it.
4. Click **Update**.

### B.3. Log into the Unit

1. Click the unit in DNA's Discover List. The **Login** window opens.
2. Enter the default User Name ("admin") and Password ("admin"), which are case-sensitive. Then click **OK**.
3. Click **Login** in DNA. The unit's web interface opens.
4. Click the message to install the ActiveX plug-in.
5. Follow the on-screen instructions to install the plug-in.

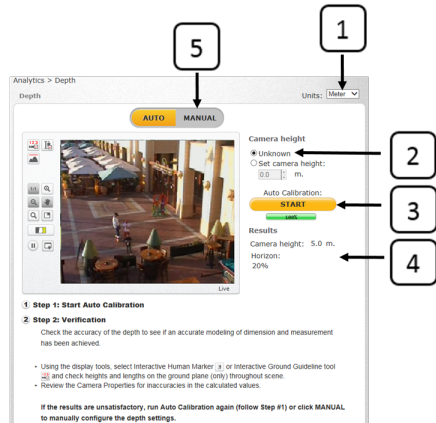
## C. Auto-Calibrate the Camera

From the navigation bar, select the **Settings > Analytics > Depth** tab. The web interface opens on the **Depth > AUTO** screen. Verify that the camera is installed at a height of at least four meters (13 feet) and that the horizon is less than 30% of the Field of View.

1. From the *Units* drop-down list, select *Feet* or *Meter*.
2. Select *Set camera height* and enter the estimated camera height.
3. Click **START**. The camera automatically calibrates the depth. Be sure that a person is walking along the Y (Vertical) axis of the FoV while Auto Calibration is in process.
4. Verify that the horizon, camera height, and human marker settings are correct.
5. Click **MANUAL** and finish configuring depth settings.



- While Auto Calibration is in progress, you can go to steps D (Select Rule) and E (Detect).
- The Auto Calibration finishes when the progress bar reaches 100%. If you stop the procedure before it finishes, the analytic process will reset.
- If you change from Auto to Manual mode, you must wait until the analytic process resets in order to use Manual mode.

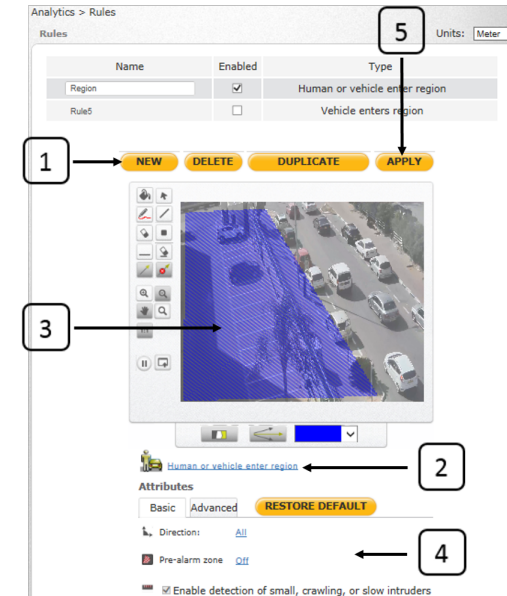


## D. Select Rule

From the navigation bar, select **Analytic > Rules** to activate rules, modify settings, delete, or add a new rule. A rule for detecting humans or vehicles entering the scene (blue masked area) is defined by default. To create a new rule:

1. Click **NEW**.
2. Select the rule type by clicking the link.
3. Draw on the video scene where you want the detection to take place.
4. Define the attributes for detection from the *Basic* and *Advanced* tabs.

5. When finished, click **APPLY** to save the settings.



## E. Detect

1. Select the **Live** tab.
2. Click **ARM**. The camera is ready for use.
3. Click the red recording icon to start recording.



Analytic performance is optimized only after the auto depth calibration process is completed.

## F. Attach to Latitude

1. In Latitude, click **Physical View** on the sidebar.
2. On the Navigation Tree, click the system name.
3. From the **Discovery** tab, do the following:
  - a. Under *Cameras and Encoders*, select *IOimage Latitude 7* or *FLIR (Latitude 8)*.
  - b. Click **Start**. The camera details are displayed in the Discovery table.
  - c. If the camera was not discovered, click **Discover Unit Manually**.
  - d. Enter the camera's IP address and select *IOimage (Latitude 7)* or *FLIR and Auto Detect (Latitude 8)*.
  - e. Click **OK**.
4. In the *Discovery* table, right-click the camera.
5. Click **Attach**.
6. Click the Archiver name to attach.
7. Click **Save**.

